

Standard Features

- A unique thermal break system resulting in reduced heat transfer and incidence of condensation at high humidity levels.
- High strength 6063-T6 aluminum prevents warping, twisting, and bowing.
- Engineered sill design sloped to ease water run off.
- Full perimeter double weather-strip reduces water and air infiltration.
- Two tandem Rollers will provide years of quiet and smooth operation.
- Standard powder coated durable handles, with surface mount locking system.
- Glass is fully tempered and 1-1/8" sealed unit with optional Low Emissivity Coated glass, Warm Edge Spacer, and Argon Gas.



Clearview 5000 Series

(Three Track Thermally Broken Aluminum System)

The 5000 Series Aluminum thermally broken stacking door system provides a unique three track frame system to allow dual operation. This design allows for maximum openings, with (2) panels that slide to one end adjacent to the fixed panel. This door is offered in a 3 panel configuration of 12ft, or the expanded 6 panel bi-parting configuration up to 24ft wide. The frame system is supplied with a dual polyurethane thermal break system which reduces condensation build up, and the glass panels are infused with a single polyurethane thermal break. The aluminum is offered in a baked enamel finish, or any anodizing option in a one color system. Each operable panel is supplied with dual tandem metal ball bearing rollers to provide ease of operation for many trouble free years. An independent screen system is available as an option, the slide clear screen retracts when not in use, allowing for enjoyment of a full view.

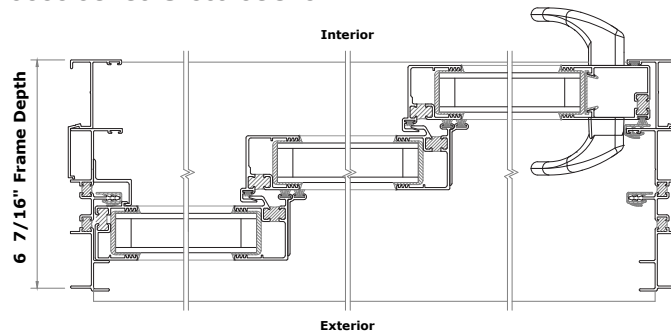


Available Configurations

	X →	X →	O
	O	← X	← X
Nominal	Width	Height 6'8"	
7668	88	79 5/8	
9068	106	79 5/8	
12068	142	79 5/8	
Nominal	Width	Height 7'8"	
7668	85	91 5/8	
9068	103	91 5/8	
12068	139	91 5/8	

O	← X	← X	X →	X →	O
Nominal	Width		Height 6'8"		
7668	174 5/8		79 5/8		
9068	210 5/8		79 5/8		
12068	282 5/8		79 5/8		
Nominal	Width		Height 7'8"		
7668	169 3/8		91 5/8		
9068	205 3/8		91 5/8		
12068	277 5/8		91 5/8		

5000 Series Cross-Section



Colour Options



We have a wide range of colours available for you to choose from. Ask your dealer for more details.



Open View



Closed View

Additional Options

1. The 5000 series heavy duty design system allows for additional interlock reinforcements to meet higher wind loads
2. Optional Slide Clear Screen is available (White and Black only)
3. Locks can be supplied with a key cylinder
4. Custom sizes available

Glass Options

1. Custom grill bars and designs are available
2. Bronze/Grey glass
3. Low 'e' glass
4. Warm Edge spacers available in grey

Handle & Screen

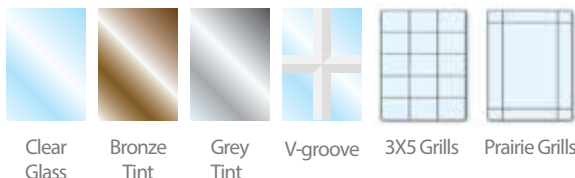


Standard Handle
(Available in black or white)



Slide Clear Screen

Glass & Grills



Security Options



Foot Lock

Door Guardian Lock



Authorized Distributor